

温度保险丝

DC-Alloy Thermal-Link (DC-ATCO)

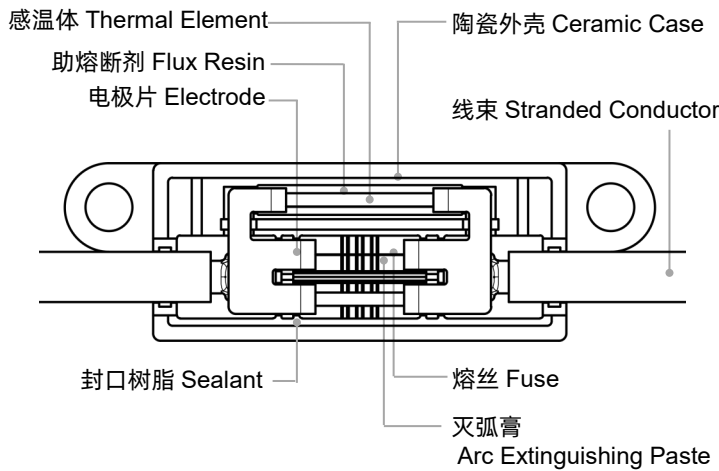
ASLxxxA Series I_r : 30 A

DC-ATCO

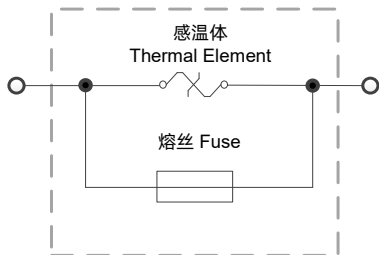


DC-ATCO

结构图 Structure Diagram



产品原理图 Product Schematic



特性 Features

- 0 to 600 VDC 工作电压 Operating Voltage
- 动作温度精确 High Accuracy of Functioning Temp.
- 陶瓷外壳 Ceramic Case
- 一次性动作不可复位 Non-Resettable
- 符合RoHS、REACH要求 RoHS & REACH Compliant

应用 Applications

- 电池冷却系统 Battery Cooling Systems
- 预先充电电阻 Pre-charged Resistors
- 汽车空调 Automotive Air-Conditioners
- 加热器 Heaters

定制 Customization

- 额定动作温度 Rated Functioning Temp.
- 线束的形状 The Shape of Stranded Conductor

安规认证 Agency Approvals

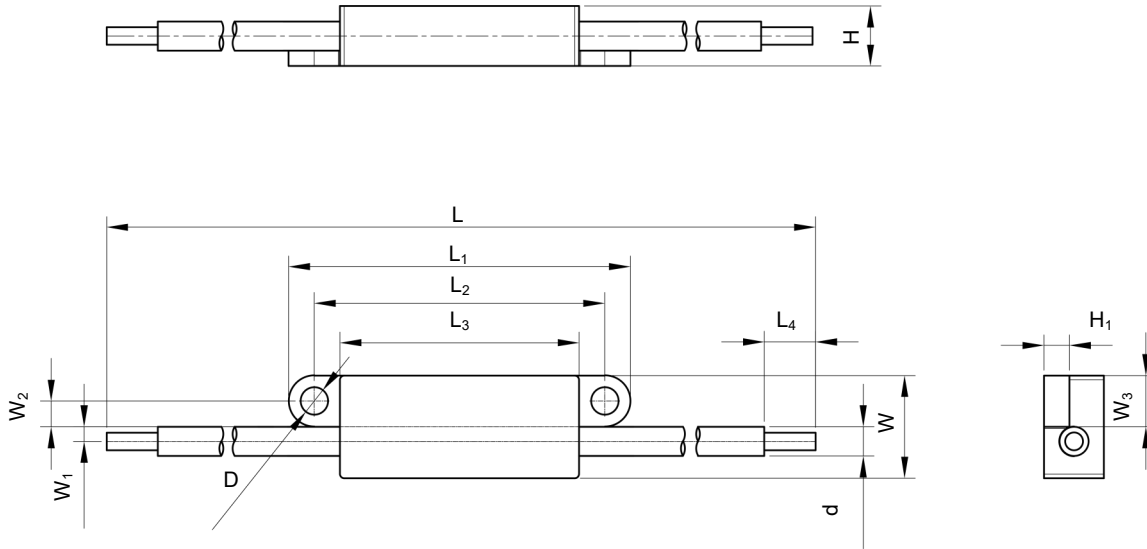
认证标志 Agency Mark	标准 Standards	认证号 File No.
	UL60691	On-going
	CAN-CSA-E60691	On-going

温度保险丝

DC-Alloy Thermal-Link (DC-ATCO)

ASLxxxA Series I_r : 30 A

尺寸 Dimensions (mm)



DC-ATCO

DC-ATCO

L	L ₁	L ₂	L ₃	L ₄	W	W ₁	W ₂	W ₃	H	H ₁	D	d
228.0 ± 5.0	40.0 ± 1.0	34.00 ± 1.0	28.0 ± 1.0	10.0 ± 1.0	12.0 ± 1.0	1.7 ± 0.2	3.0 ± 0.2	6.0 ± 0.5	7.0 ± 1.0	3.0 ± 0.5	3.2 ± 0.2	AWG12

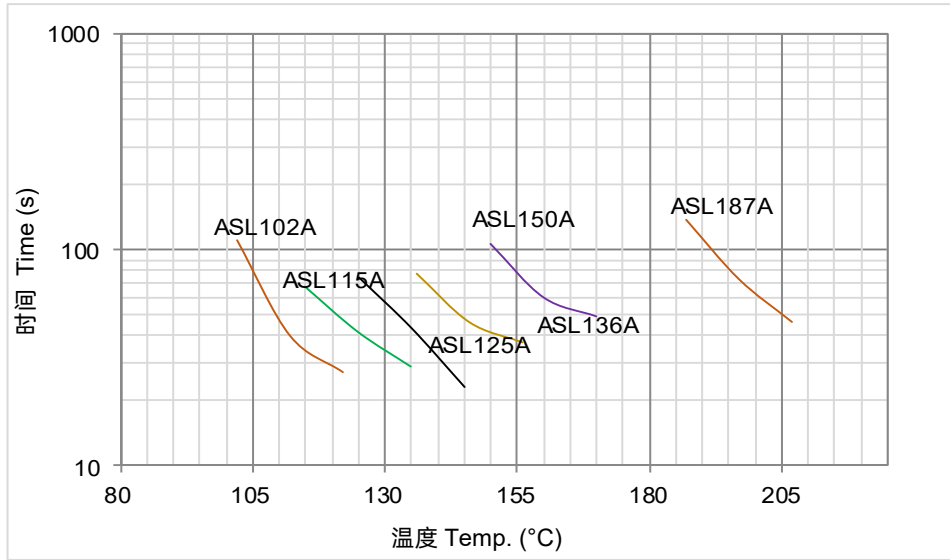
技术参数 Specifications

型号 Model	额定动作 温度 T_f	带载动作温度 Fusing Temp. with Load	保持 温度 T_h	极限 温度 T_m	最小断开 电流 I_{min}	额定电流 I_r	额定电压 U_r	UL [®]	cUL [®]	TUV	VDE	CCC	RoHS REACH
	(°C)	(°C)	(°C)	(°C)	(A)	(A)	(V)	UL	cUL	TUV	VDE	CCC	
ASL102A-LSF	102	82 ± 3	55	250	0.5	30	DC 600	○	○	○	○	○	●
ASL115A-LSF	115	95 ± 3	65	250	0.5	30	DC 600	○	○	○	○	○	●
ASL125A-LSF	125	105 ± 3	70	250	0.5	30	DC 600	○	○	○	○	○	●
ASL136A-LSF	135	116 ± 3	80	250	0.5	30	DC 600	○	○	○	○	○	●
ASL150A-LSF	150	130 ± 3	95	250	0.5	30	DC 600	○	○	○	○	○	●
ASL187A-LSF	187	167 ± 3	140	250	0.5	30	DC 600	○	○	○	○	○	●

温度-时间曲线 Temp.-Time Curve

描绘了温度保险丝在不同油池温度下的动作时间曲线。（此曲线仅供参考）

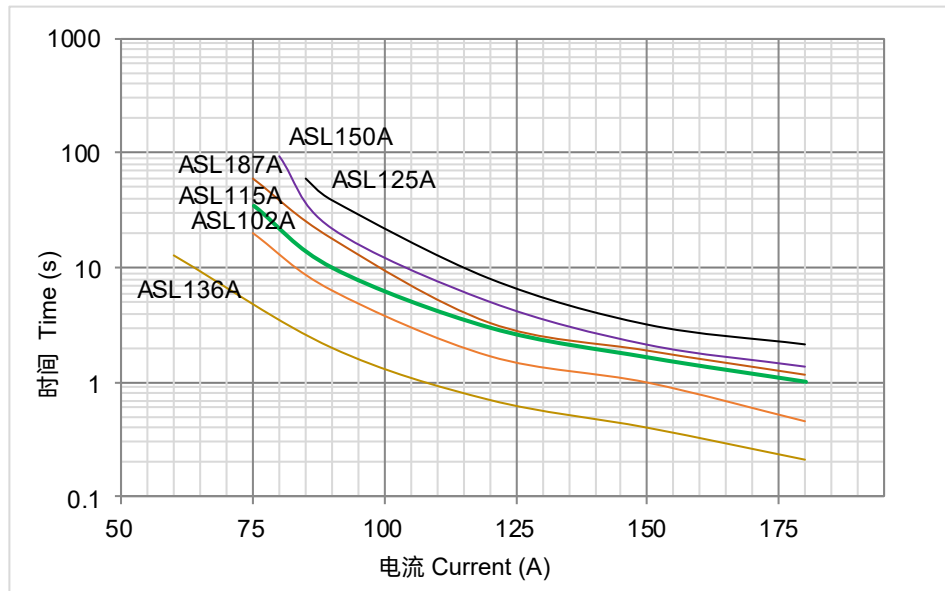
The functioning temperature time curve of Alloy Thermal-Link in different Temp. oil bath. (This curve is for reference only)



电流-时间曲线 Current-Time Curve

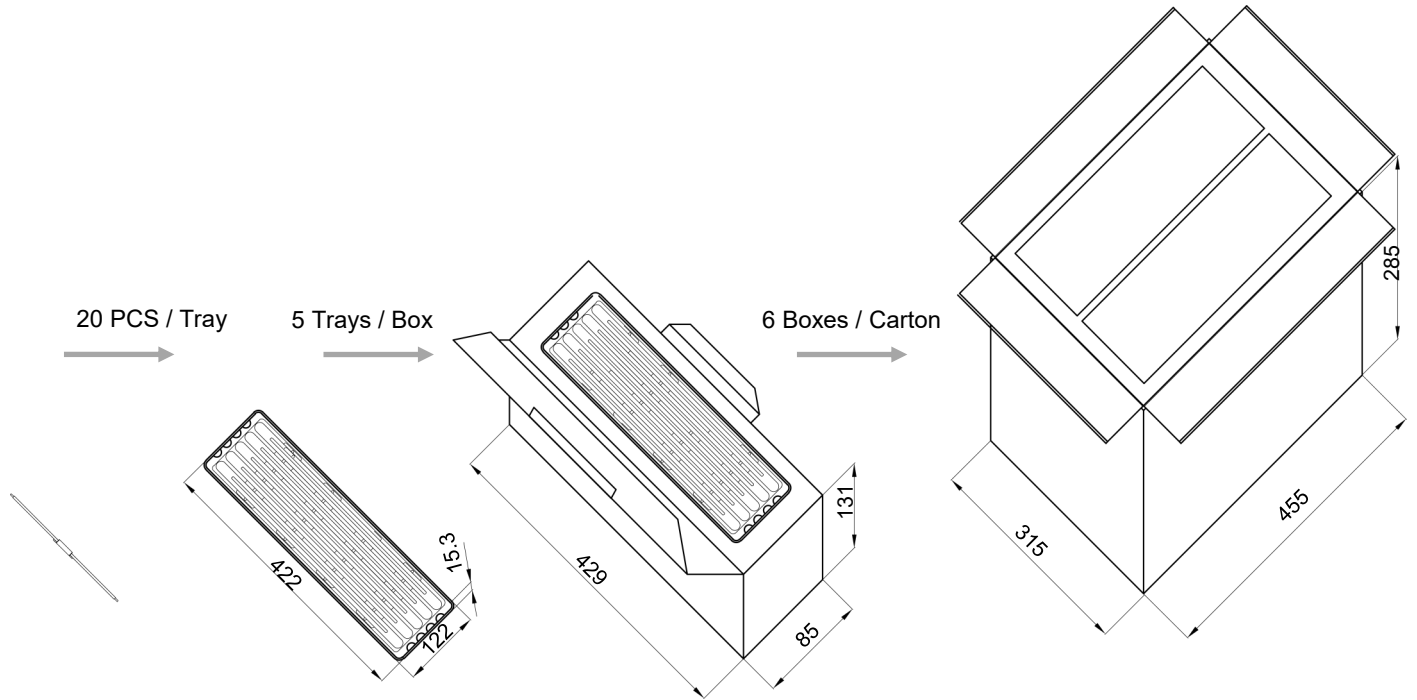
描绘了温度保险丝在 $25 \pm 2^\circ\text{C}$ 室温中，不同倍数额定电流下的断开时间。（此曲线仅供参考）

This is an illustrated curve, describing the opening time at Multi-times rated current in the condition of the room Temp. 25°C . (This curve is for reference only)



包装信息 Packaging Information

项目 Item	吸塑盘 Tray	纸盒 Box	纸箱 Carton
尺寸 Dimensions (mm)	422 x 122 x 15.3	429 x 85 x 131	455 x 315 x 285
数量 Quantity (PCS)	20	100	600
毛重 Gross Weight (kg):			20 ± 10%



DC-ATCO

DC-ATCO